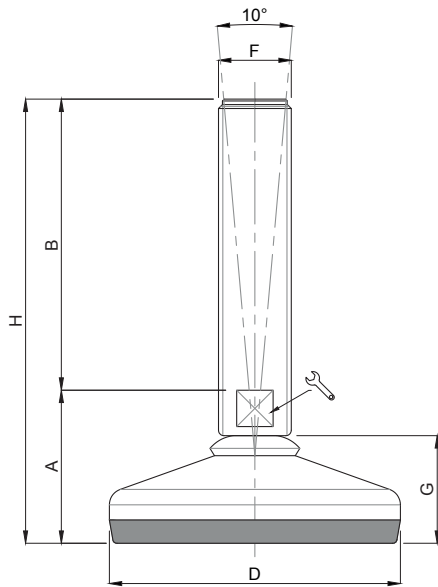


Piede Inox

Caratteristiche: BASE VULCANIZZATA Ø 80, STELO SNODATO 10°

Features: HYGIENIC VULCANIZED BASE Ø 80, 10° ARTICULATED STEM





NBR



EPDM



CODICE - CODE		DESCRIZIONE description	DIMENSIONI PRINCIPALI - MAIN DIMENSIONS								CARICO LOAD NEWTON
Gomma NBR	Gomma EPDM blu		A	B	D			F	G	H	
24900/10R	24900/10RB	M10x50	37	50	ø 80	-	14	M10	30	87	10000
25000/10R	25000/10RB	M10x75	37	75	ø 80	-	14	M10	30	112	10000
25002/10R	25002/10RB	M10x100	37	100	ø 80	-	14	M10	30	137	10000
25004/10R	25004/10RB	M10x125	37	125	ø 80	-	14	M10	30	162	10000
25006/10R/BF	25006/10RB/BF	M10x150	42	150	ø 80	8	-	M10	30	192	10000
25008/10R/BF	25008/10RB/BF	M10x175	42	175	ø 80	8	-	M10	30	217	10000
25010/10R/BF	25010/10RB/BF	M10x200	42	200	ø 80	8	-	M10	30	242	10000
24900/12R	24900/12RB	M12x50	37	50	ø 80	-	14	M12	30	87	10000
25000/12R	25000/12RB	M12x75	37	75	ø 80	-	14	M12	30	112	10000
25002/12R	25002/12RB	M12x100	37	100	ø 80	-	14	M12	30	137	10000
25004/12R	25004/12RB	M12x125	37	125	ø 80	-	14	M12	30	162	10000
25006/12R/BF	25006/12RB/BF	M12x150	42	150	ø 80	10	-	M12	30	192	10000
25008/12R/BF	25008/12RB/BF	M12x175	42	175	ø 80	10	-	M12	30	217	10000
25010/12R/BF	25010/12RB/BF	M12x200	42	200	ø 80	10	-	M12	30	242	10000
25000R	25000RB	M14x75	35	75	ø 80	-	14	M14	30	110	10000
25002R	25002RB	M14x100	35	100	ø 80	-	14	M14	30	135	10000
25004R	25004RB	M14x125	35	125	ø 80	-	14	M14	30	160	10000
25006R	25006RB	M14x150	35	150	ø 80	-	14	M14	30	185	10000
25008R	25008RB	M14x175	35	175	ø 80	-	14	M14	30	210	10000
25020R	25020RB	M16x75	42	75	ø 80	13	-	M16	30	117	10000
25022R	25022RB	M16x100	42	100	ø 80	13	-	M16	30	142	10000
25024R	25024RB	M16x125	42	125	ø 80	13	-	M16	30	167	10000
25026R	25026RB	M16x150	42	150	ø 80	13	-	M16	30	192	10000
25028R	25028RB	M16x175	42	175	ø 80	13	-	M16	30	217	10000
25030R	25030RB	M16x200	42	200	ø 80	13	-	M16	30	242	10000
25040R	25040RB	M20x75	42	75	ø 80	17	-	M20	30	117	10000
25042R	25042RB	M20x100	42	100	ø 80	17	-	M20	30	142	10000
25044R	25044RB	M20x125	42	125	ø 80	17	-	M20	30	167	10000
25046R	25046RB	M20x150	42	150	ø 80	17	-	M20	30	192	10000
25048R	25048RB	M20x175	42	175	ø 80	17	-	M20	30	217	10000
25050R	25050RB	M20x200	42	200	ø 80	17	-	M20	30	242	10000
25052R	25052RB	M20x225	42	225	ø 80	17	-	M20	30	267	10000
25054R	25054RB	M20x250	42	250	ø 80	17	-	M20	30	292	10000
25070R	25070RB	M24x75	42	75	ø 80	20	-	M24	30	117	10000
25072R	25072RB	M24x100	42	100	ø 80	20	-	M24	30	142	10000
25074R	25074RB	M24x125	42	125	ø 80	20	-	M24	30	167	10000
* 25076R	25076RB	M24x150	42	150	ø 80	20	-	M24	30	192	10000
* 25078R	25078RB	M24x175	42	175	ø 80	20	-	M24	30	217	10000
* 25080R	25080RB	M24x200	42	200	ø 80	20	-	M24	30	242	10000
25082R	25082RB	M24x225	42	225	ø 80	20	-	M24	30	267	10000
25084R	25084RB	M24x250	42	250	ø 80	20	-	M24	30	292	10000

* Disponibile con Filettatura a passo fine. Aggiungere "/P2" al codice
Available with Thin pitch thread. Please, add "/P2" to the code.

Sie haben Fragen? Kontaktieren Sie uns:
Do you need support? Contact us:

+49 (0) 7181 980 32 00

info@movet.eu

www.movet.eu