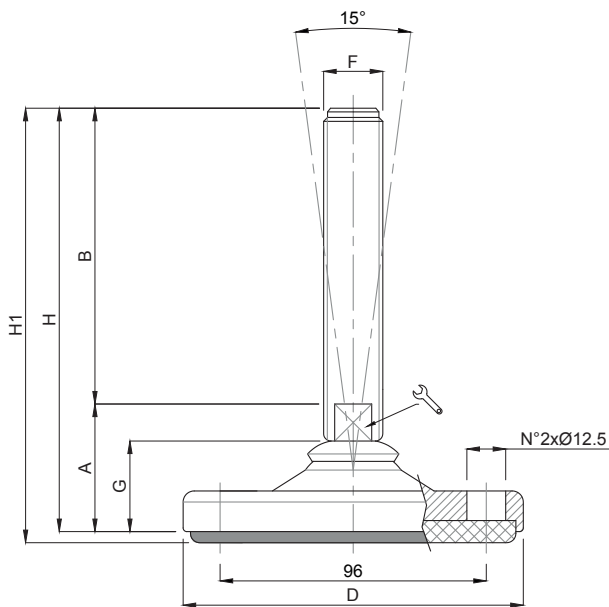


## Piede Inox

**Caratteristiche: BASE DAL PIENO Ø 120 CON 2 FORI, STELO SNODATO 15°**

**Features: SOLID BASE Ø 120 WITH 2 BORES, 15° ARTICULATED STEM**



- Fornito con tappo
- Provided with cap

CODICE - CODE		DIMENSIONI PRINCIPALI - MAIN DIMENSIONS								CARICO STATICO STATIC LOAD NEWTON
standard standard	antiscivolo antislip	D	F	B		G	A	H	H1	
20500F	20501F	Ø 120	M16	50	13	24	34	84	87	30000
20502F	20503F	Ø 120	M16	75	13	24	34	109	112	30000
20504F	20505F	Ø 120	M16	100	13	24	34	134	137	30000
20506F	20507F	Ø 120	M16	125	13	24	34	159	162	30000
20508F	20509F	Ø 120	M16	150	13	24	34	184	187	30000
20510F	20511F	Ø 120	M16	175	13	24	34	209	212	30000
20512F	20513F	Ø 120	M16	200	13	24	34	234	237	30000
20514F	20515F	Ø 120	M16	225	13	24	34	259	262	30000
20516F	20517F	Ø 120	M16	250	13	24	34	284	287	30000
20520F	20521F	Ø 120	M20	75	17	24	36	111	114	35000
20522F	20523F	Ø 120	M20	100	17	24	36	136	139	35000
20524F	20525F	Ø 120	M20	125	17	24	36	161	164	35000
20526F	20527F	Ø 120	M20	150	17	24	36	186	189	35000
20528F	20529F	Ø 120	M20	175	17	24	36	211	214	35000
20530F	20531F	Ø 120	M20	200	17	24	36	236	239	35000
20532F	20533F	Ø 120	M20	225	17	24	36	261	264	35000
20534F	20535F	Ø 120	M20	250	17	24	36	286	289	35000
20540F	20541F	Ø 120	M24	100	20	24	36	136	139	40000
20542F	20543F	Ø 120	M24	125	20	24	36	161	164	40000
20544F	20545F	Ø 120	M24	150	20	24	36	186	189	40000
20546F	20547F	Ø 120	M24	175	20	24	36	211	214	40000
20548F	20549F	Ø 120	M24	200	20	24	36	236	239	40000
20550F	20551F	Ø 120	M24	225	20	24	36	261	264	40000
20552F	20553F	Ø 120	M24	250	20	24	36	286	289	40000
20560F	20561F	Ø 120	M30	100	26	24	36	136	139	50000
20562F	20563F	Ø 120	M30	125	26	24	36	161	164	50000
20564F	20565F	Ø 120	M30	150	26	24	36	186	189	50000
20566F	20567F	Ø 120	M30	175	26	24	36	211	214	50000
20568F	20569F	Ø 120	M30	200	26	24	36	236	239	50000
20570F	20571F	Ø 120	M30	225	26	24	36	261	264	50000
20572F	20573F	Ø 120	M30	250	26	24	36	286	289	50000

Su richiesta disponibile con filettatura a passo fine. Soggetto a minimo quantitativo.  
On request, available with thin pitch. Subject to minimum order quantity

Materiale base: acciaio Inox AISI304 (a richiesta AISI316). - Materiale Stelo: acciaio Inox AISI304 (a richiesta AISI316).  
Material: Stainless steel base 1.4301 (1.4401 on request)

Sie haben Fragen? Kontaktieren Sie uns:  
Do you need support? Contact us:

+49 (0) 7181 980 32 00

info@movet.eu

www.movet.eu