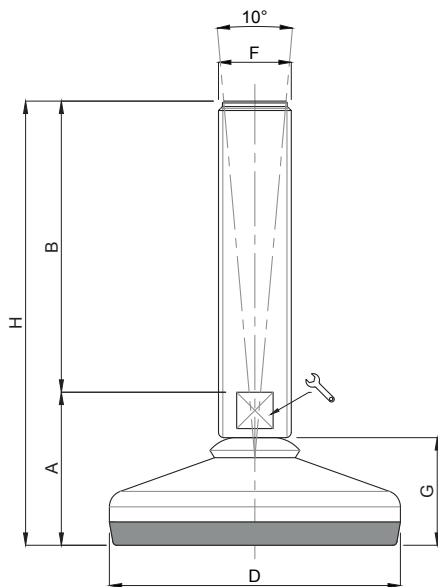


Piede Inox

Caratteristiche: BASE VULCANIZZATA Ø 120, STELO SNODATO 10°

Features: HYGIENIC VULCANIZED BASE Ø 120, 10° ARTICULATED STEM



NBR



EPDM



CODICE - CODE		DESCRIZIONE description	DIMENSIONI PRINCIPALI - MAIN DIMENSIONS								CARICO LOAD NEWTON
Gomma NBR	Gomma EPDM blu		A	B	D			F	G	H	
25250R	25250RB	M16x75	49	75	ø 120	13	-	M16	36	124	30000
25252R	25252RB	M16x100	49	100	ø 120	13	-	M16	36	149	30000
25254R	25254RB	M16x125	49	125	ø 120	13	-	M16	36	174	30000
25256R	25256RB	M16x150	49	150	ø 120	13	-	M16	36	199	30000
25258R	25258RB	M16x175	49	175	ø 120	13	-	M16	36	224	30000
25260R	25260RB	M16x200	49	200	ø 120	13	-	M16	36	249	30000
25262R	25262RB	M20x75	49	75	ø 120	17	-	M20	36	124	30000
25264R	25264RB	M20x100	49	100	ø 120	17	-	M20	36	149	30000
25266R	25266RB	M20x125	49	125	ø 120	17	-	M20	36	174	30000
25268R	25268RB	M20x150	49	150	ø 120	17	-	M20	36	199	30000
25270R	25270RB	M20x175	49	175	ø 120	17	-	M20	36	224	30000
25272R	25272RB	M20x200	49	200	ø 120	17	-	M20	36	249	30000
25274R	25274RB	M20x225	49	225	ø 120	17	-	M20	36	274	30000
25276R	25276RB	M20x250	49	250	ø 120	17	-	M20	36	299	30000
25278R	25278RB	M24x100	51	100	ø 120	20	-	M24	36	151	30000
25280R	25280R	M24x125	51	125	ø 120	20	-	M24	36	176	30000
* 25282R	25282RB	M24x150	51	150	ø 120	20	-	M24	36	201	30000
* 25284R	25284RB	M24x175	51	175	ø 120	20	-	M24	36	226	30000
* 25286R	25286RB	M24x200	51	200	ø 120	20	-	M24	36	251	30000
* 25288R	25288RB	M24x225	51	225	ø 120	20	-	M24	36	276	30000
25290R	25290RB	M24x250	51	250	ø 120	20	-	M24	36	301	30000
25292R	25292RB	M30x100	51	100	ø 120	-	26	M30	36	151	30000
25294R	25294RB	M30x125	51	125	ø 120	-	26	M30	36	176	30000
* 25296R	25296RB	M30x150	51	150	ø 120	-	26	M30	36	201	30000
* 25298R	25298RB	M30x175	51	175	ø 120	-	26	M30	36	226	30000
* 25300R	25300RB	M30x200	51	200	ø 120	-	26	M30	36	251	30000
* 25302R	25302RB	M30x225	51	225	ø 120	-	26	M30	36	276	30000
* 25304R	25304RB	M30x250	51	250	ø 120	-	26	M30	36	301	30000

* Disponibile con Filettatura a passo fine. Aggiungere "/P2" al codice
Available with Thin pitch thread. Please, add "/P2" to the code.