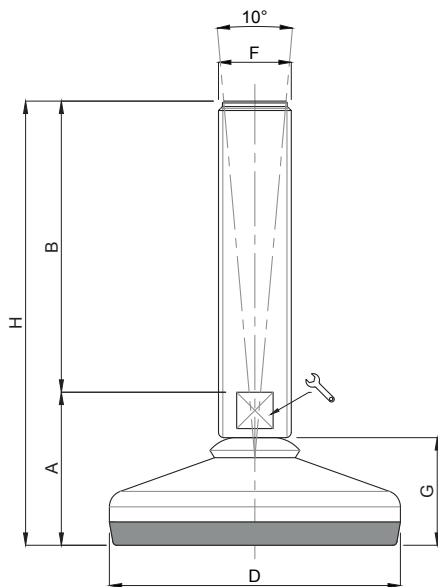


## Piede Inox

Caratteristiche: BASE VULCANIZZATA Ø 50, STELO SNODATO 10°

Features: HYGIENIC VULCANIZED BASE Ø 50, 10° ARTICULATED STEM



NBR



EPDM



CODICE - CODE		DESCRIZIONE description	DIMENSIONI PRINCIPALI - MAIN DIMENSIONS							CARICO LOAD NEWTON	
Gomma NBR	Gomma EPDM blu		A	B	D			F	G		H
24500R	24500RB	M10x50	32	50	ø 50	-	14	M10	24	82	4000
24502R	24502RB	M10x75	32	75	ø 50	-	14	M10	24	107	4000
24504R	24504RB	M10x100	32	100	ø 50	-	14	M10	24	132	4000
24506R	24506RB	M10x125	32	125	ø 50	-	14	M10	24	157	4000
24507R/BF	24507RB/BF	M10x150	35	150	ø 50	8	-	M10	24	185	4000
24508R/BF	24508RB/BF	M10x175	35	175	ø 50	8	-	M10	24	210	4000
24509R/BF	24509RB/BF	M10x200	35	200	ø 50	8	-	M10	24	235	4000
24600R	24600RB	M12x50	32	50	ø 50	-	14	M12	24	82	4000
24602R	24602RB	M12x75	32	75	ø 50	-	14	M12	24	107	4000
24604R	24604RB	M12x100	32	100	ø 50	-	14	M12	24	132	4000
24606R	24606RB	M12x125	32	125	ø 50	-	14	M12	24	157	4000
24607R/BF	24607RB/BF	M12x150	35	150	ø 50	10	-	M12	24	185	4000
24608R/BF	24608RB/BF	M12x175	35	175	ø 50	10	-	M12	24	210	4000
24609R/BF	24609RB/BF	M12x200	35	200	ø 50	10	-	M12	24	235	4000
24700R	24700RB	M14x75	32	75	ø 50	-	14	M14	24	107	4000
24702R	24702RB	M14x100	32	100	ø 50	-	14	M14	24	132	4000
24704R	24704RB	M14x125	32	125	ø 50	-	14	M14	24	157	4000
24706R	24706RB	M14x150	32	150	ø 50	-	14	M14	24	182	4000
24708R	24708RB	M14x175	32	175	ø 50	-	14	M14	24	207	4000
24800R	24800RB	M16x75	35	75	ø 50	13	-	M16	24	110	4000
24802R	24802RB	M16x100	35	100	ø 50	13	-	M16	24	135	4000
24804R	24804RB	M16x125	35	125	ø 50	13	-	M16	24	160	4000
24806R	24806RB	M16x150	35	150	ø 50	13	-	M16	24	185	4000
24808R	24808RB	M16x175	35	175	ø 50	13	-	M16	24	210	4000
24810R	24810RB	M16x200	35	200	ø 50	13	-	M16	24	235	4000