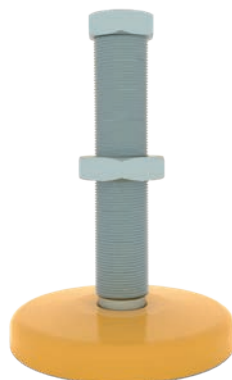
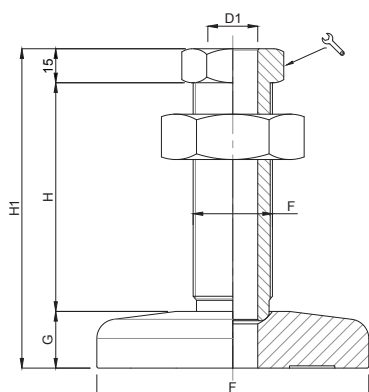


Piede in Acciaio Verniciato, Zincato e Fosfatato

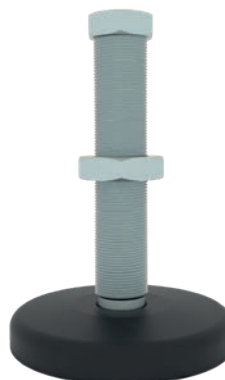
MOVET®

Caratteristiche: BASE E VITE CON FORO PASSANTE, PASSO FINE

Features: BASE AND SCREW WITH THROUGH HOLE, THIN PITCH




CODICE+V
CODE+V



CODICE+F
CODE+F



CODICE+TF
CODE+TF

CODICE - CODE standard - standard	DIMENSIONI PRINCIPALI - MAIN DIMENSIONS							CARICO STATICO STATIC LOAD NEWTON
	D	D1		F	G	H	H1	
12620V	Ø100	Ø13	24	M24X2	18	141	174	60000
12620F	Ø100	Ø13	24	M24X2	18	141	174	60000
12620TF	Ø100	Ø13	24	M24X2	18	141	174	60000
12621V	Ø100	Ø13	24	M24X2	18	87	120	60000
12621F	Ø100	Ø13	24	M24X2	18	87	120	60000
12621TF	Ø100	Ø13	24	M24X2	18	87	120	60000
12617V	Ø120	Ø22	41	M35X2	25	100	140	90000
12617F	Ø120	Ø22	41	M35X2	25	100	140	90000
12617TF	Ø120	Ø22	41	M35X2	25	100	140	90000
12618V	Ø120	Ø22	41	M36X2	25	100	140	90000
12618F	Ø120	Ø22	41	M36X2	25	100	140	90000
12618TF	Ø120	Ø22	41	M36X2	25	100	140	90000
12619V	Ø120	Ø22	41	M35X2	25	177	217	90000
12619F	Ø120	Ø22	41	M35X2	25	177	217	90000
12619TF	Ø120	Ø22	41	M35X2	25	177	217	90000
12623V	Ø150	Ø22	41	M35X2	25	100	140	90000
12623F	Ø150	Ø22	41	M35X2	25	100	140	90000
12623TF	Ø150	Ø22	41	M35X2	25	100	140	90000
12624V	Ø150	Ø22	41	M36X2	25	100	140	90000
12624F	Ø150	Ø22	41	M36X2	25	100	140	90000
12624TF	Ø150	Ø22	41	M36X2	25	100	140	90000
12625V	Ø150	Ø22	41	M35X2	25	177	217	90000
12625F	Ø150	Ø22	41	M35X2	25	177	217	90000
12625TF	Ø150	Ø22	41	M35X2	25	177	217	90000
12626V	Ø150	Ø22	41	M36X2	25	177	217	90000
12626F	Ø150	Ø22	41	M36X2	25	177	217	90000
12626TF	Ø150	Ø22	41	M36X2	25	177	217	90000

Codice + V= finitura verniciata e vite zincata/ yellow painted + zinc-plated screw

Codice + F= finitura fosfatata e vite zincata/ phosphated base + zinc-plated screw

Codice + TF= base e vite fosfatata/ base & screw phosphated