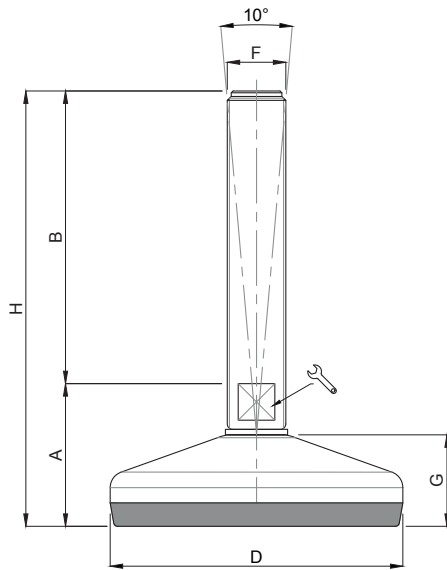


## Piede Inox

**Caratteristiche: BASE VULCANIZZATA Ø 120, STELO SNODATO 10°**

**Features: VULCANIZED BASE Ø 120, 10° ARTICULATED STEM**



| CODICE<br>CODE | DESCRIZIONE<br>description | DIMENSIONI PRINCIPALI - MAIN DIMENSIONS |     |       |    |    |     |    |     | CARICO<br>LOAD<br>NEWTON |
|----------------|----------------------------|---|-----|-------|----|----|-----|----|-----|--------------------------|
|                |                            | A                                       | B   | D     |    |    | F   | G  | H   |                          |
| 25250/EB       | M16x75                     | 47                                      | 75  | Ø 120 | 13 | -  | M16 | 32 | 122 | 30000                    |
| 25252/EB       | M16x100                    | 47                                      | 100 | Ø 120 | 13 | -  | M16 | 32 | 147 | 30000                    |
| 25254/EB       | M16x125                    | 47                                      | 125 | Ø 120 | 13 | -  | M16 | 32 | 172 | 30000                    |
| 25256/EB       | M16x150                    | 47                                      | 150 | Ø 120 | 13 | -  | M16 | 32 | 197 | 30000                    |
| 25258/EB       | M16x175                    | 47                                      | 175 | Ø 120 | 13 | -  | M16 | 32 | 222 | 30000                    |
| 25260/EB       | M16x200                    | 47                                      | 200 | Ø 120 | 13 | -  | M16 | 32 | 247 | 30000                    |
| 25262/EB       | M20x75                     | 47                                      | 75  | Ø 120 | 17 | -  | M20 | 32 | 122 | 30000                    |
| 25264/EB       | M20x100                    | 47                                      | 100 | Ø 120 | 17 | -  | M20 | 32 | 147 | 30000                    |
| 25266/EB       | M20x125                    | 47                                      | 125 | Ø 120 | 17 | -  | M20 | 32 | 172 | 30000                    |
| 25268/EB       | M20x150                    | 47                                      | 150 | Ø 120 | 17 | -  | M20 | 32 | 197 | 30000                    |
| 25270/EB       | M20x175                    | 47                                      | 175 | Ø 120 | 17 | -  | M20 | 32 | 222 | 30000                    |
| 25272/EB       | M20x200                    | 47                                      | 200 | Ø 120 | 17 | -  | M20 | 32 | 247 | 30000                    |
| 25274/EB       | M20x225                    | 47                                      | 225 | Ø 120 | 17 | -  | M20 | 32 | 272 | 30000                    |
| 25276/EB       | M20x250                    | 47                                      | 250 | Ø 120 | 17 | -  | M20 | 32 | 297 | 30000                    |
| 25278/EB       | M24x100                    | 49                                      | 100 | Ø 120 | 20 | -  | M24 | 32 | 149 | 30000                    |
| 25280/EB       | M24x125                    | 49                                      | 125 | Ø 120 | 20 | -  | M24 | 32 | 174 | 30000                    |
| * 25282/EB     | M24x150                    | 49                                      | 150 | Ø 120 | 20 | -  | M24 | 32 | 199 | 30000                    |
| * 25284/EB     | M24x175                    | 49                                      | 175 | Ø 120 | 20 | -  | M24 | 32 | 224 | 30000                    |
| * 25286/EB     | M24x200                    | 49                                      | 200 | Ø 120 | 20 | -  | M24 | 32 | 249 | 30000                    |
| 25288/EB       | M24x225                    | 49                                      | 225 | Ø 120 | 20 | -  | M24 | 32 | 274 | 30000                    |
| 25290/EB       | M24x250                    | 49                                      | 250 | Ø 120 | 20 | -  | M24 | 32 | 299 | 30000                    |
| 25292/EB       | M30x100                    | 49                                      | 100 | Ø 120 | -  | 26 | M30 | 32 | 149 | 30000                    |
| 25294/EB       | M30x125                    | 49                                      | 125 | Ø 120 | -  | 26 | M30 | 32 | 174 | 30000                    |
| * 25296/EB     | M30x150                    | 49                                      | 150 | Ø 120 | -  | 26 | M30 | 32 | 199 | 30000                    |
| 25298/EB       | M30x175                    | 49                                      | 175 | Ø 120 | -  | 26 | M30 | 32 | 224 | 30000                    |
| * 25300/EB     | M30x200                    | 49                                      | 200 | Ø 120 | -  | 26 | M30 | 32 | 249 | 30000                    |
| 25302/EB       | M30x225                    | 49                                      | 225 | Ø 120 | -  | 26 | M30 | 32 | 274 | 30000                    |
| 25304/EB       | M30x250                    | 49                                      | 250 | Ø 120 | -  | 26 | M30 | 32 | 299 | 30000                    |

\* Disponibile con Filettatura a passo fine. Aggiungere "/P2" al codice  
Available with Thin pitch thread. Please, add "/P2" to the code.