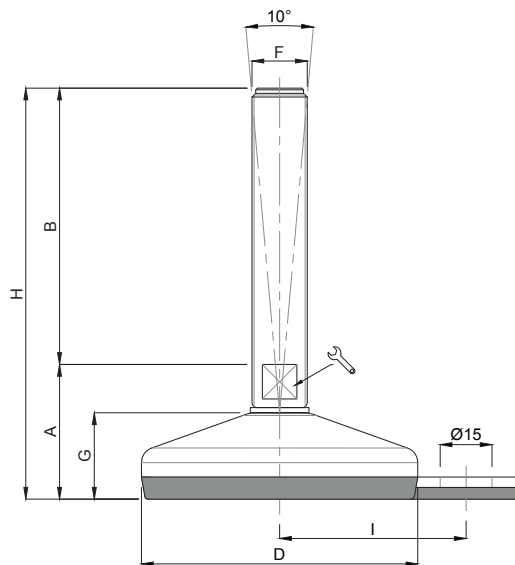


Piede Inox

Caratteristiche: BASE VULCANIZZATA Ø 80 CON FISSAGGIO,
STELO SNODATO 10°

Features: VULCANIZED BOLT/DOWN BASE Ø 80, 10° ARTICULATED STEM



CODICE CODE	DESCRIZIONE description	DIMENSIONI PRINCIPALI - MAIN DIMENSIONS										CARICO LOAD NEWTON
		A	B	D			F	G	H	I		
24900/10/F/EB	M10x50	35	50	Ø 80	-	14	M10	25	85	54	10000	
25000/10/F/EB	M10x75	35	75	Ø 80	-	14	M10	25	110	54	10000	
25002/10/F/EB	M10x100	35	100	Ø 80	-	14	M10	25	135	54	10000	
25004/10/F/EB	M10x125	35	125	Ø 80	-	14	M10	25	160	54	10000	
25006/10/BF/F/EB	M10x150	38	150	Ø 80	8	-	M10	25	188	54	10000	
25008/10/BF/F/EB	M10x175	38	175	Ø 80	8	-	M10	25	213	54	10000	
25010/10/BF/F/EB	M10x200	38	200	Ø 80	8	-	M10	25	238	54	10000	
24900/12/F/EB	M12x50	35	50	Ø 80	-	14	M12	25	85	54	10000	
25000/12/F/EB	M12x75	35	75	Ø 80	-	14	M12	25	110	54	10000	
25002/12/F/EB	M12x100	35	100	Ø 80	-	14	M12	25	135	54	10000	
25004/12/F/EB	M12x125	35	125	Ø 80	-	14	M12	25	160	54	10000	
25006/12/BF/F/EB	M12x150	38	150	Ø 80	10	-	M12	25	188	54	10000	
25008/12/BF/F/EB	M12x175	38	175	Ø 80	10	-	M12	25	213	54	10000	
25010/12/BF/F/EB	M12x200	38	200	Ø 80	10	-	M12	25	238	54	10000	
25000/F/EB	M14x75	35	75	Ø 80	-	14	M14	25	110	54	10000	
25002/F/EB	M14x100	35	100	Ø 80	-	14	M14	25	135	54	10000	
25004/F/EB	M14x125	35	125	Ø 80	-	14	M14	25	160	54	10000	
25006/F/EB	M14x150	35	150	Ø 80	-	14	M14	25	185	54	10000	
25008/F/EB	M14x175	35	175	Ø 80	-	14	M14	25	210	54	10000	
25020/F/EB	M16x75	35	75	Ø 80	13	-	M16	25	110	54	10000	
25022/F/EB	M16x100	38	100	Ø 80	13	-	M16	25	138	54	10000	
25024/F/EB	M16x125	38	125	Ø 80	13	-	M16	25	163	54	10000	
25026/F/EB	M16x150	38	150	Ø 80	13	-	M16	25	188	54	10000	
25028/F/EB	M16x175	38	175	Ø 80	13	-	M16	25	213	54	10000	
25030/F/EB	M16x200	38	200	Ø 80	13	-	M16	25	238	54	10000	
25040/F/EB	M20x75	38	75	Ø 80	17	-	M20	25	113	54	10000	
25042/F/EB	M20x100	38	100	Ø 80	17	-	M20	25	138	54	10000	
25044/F/EB	M20x125	38	125	Ø 80	17	-	M20	25	163	54	10000	
25046/F/EB	M20x150	38	150	Ø 80	17	-	M20	25	188	54	10000	
25048/F/EB	M20x175	38	175	Ø 80	17	-	M20	25	213	54	10000	
25050/F/EB	M20x200	38	200	Ø 80	17	-	M20	25	238	54	10000	
25052/F/EB	M20x225	38	225	Ø 80	17	-	M20	25	263	54	10000	
25054/F/EB	M20x250	38	250	Ø 80	17	-	M20	25	288	54	10000	
25070/F/EB	M24x75	40	75	Ø 80	20	-	M24	25	115	54	10000	
25072/F/EB	M24x100	40	100	Ø 80	20	-	M24	25	140	54	10000	
25074/F/EB	M24x125	40	125	Ø 80	20	-	M24	25	165	54	10000	
* 25076/F/EB	M24x150	40	150	Ø 80	20	-	M24	25	190	54	10000	
* 25078/F/EB	M24x175	40	175	Ø 80	20	-	M24	25	215	54	10000	
* 25080/F/EB	M24x200	40	200	Ø 80	20	-	M24	25	240	54	10000	
25082/F/EB	M24x225	40	225	Ø 80	20	-	M24	25	265	54	10000	
25084/F/EB	M24x250	40	250	Ø 80	20	-	M24	25	290	54	10000	

* Disponibile con Filettatura a passo fine. Aggiungere "/P2" al codice Available with Thin pitch thread. Please, add "/P2" to the code.

Sie haben Fragen? Kontaktieren Sie uns:
Do you need support? Contact us:

+49 (0) 7181 980 32 00

info@movet.eu

www.movet.eu