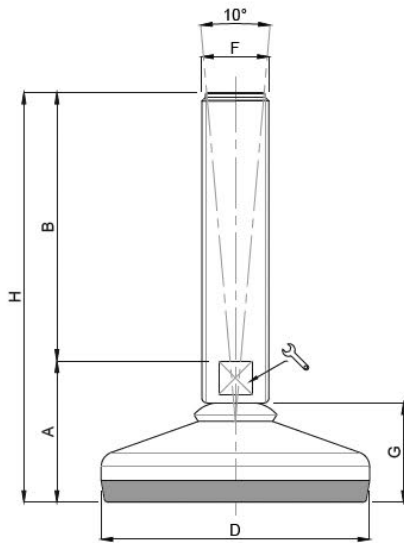


Piede Inox

VULCANIZZATO IGIENICO

Caratteristiche: BASE VULCANIZZATA Ø 80, STELO SNODATO 10°

Features: HYGIENIC VULCANIZED BASE Ø 80, 10° ARTICULATED STEM



Disponibile in Aisi 316 solo per gomma EPDM blu  
Aisi 316 Available only for blue EPDM

NBR

EPDM

| CODICE - CODE |                | DESCRIZIONE description | DIMENSIONI PRINCIPALI - MAIN DIMENSIONS |     |      |    |    |     |    |     | CARICO LOAD NEWTON |
|---------------|----------------|-------------------------|---|-----|------|----|----|-----|----|-----|--------------------|
| Gomma NBR     | Gomma EPDM blu |                         | A                                       | B   | D    |    |    | F   | G  | H   |                    |
| 24900/10R     | 24900/10RB     | M10x50                  | 37                                      | 50  | ø 80 | -  | 14 | M10 | 30 | 87  | 10000              |
| 25000/10R     | 25000/10RB     | M10x75                  | 37                                      | 75  | ø 80 | -  | 14 | M10 | 30 | 112 | 10000              |
| 25002/10R     | 25002/10RB     | M10x100                 | 37                                      | 100 | ø 80 | -  | 14 | M10 | 30 | 137 | 10000              |
| 25004/10R     | 25004/10RB     | M10x125                 | 37                                      | 125 | ø 80 | -  | 14 | M10 | 30 | 162 | 10000              |
| 25006/10R/BF  | 25006/10RB/BF  | M10x150                 | 42                                      | 150 | ø 80 | 8  | -  | M10 | 30 | 192 | 10000              |
| 25008/10R/BF  | 25008/10RB/BF  | M10x175                 | 42                                      | 175 | ø 80 | 8  | -  | M10 | 30 | 217 | 10000              |
| 25010/10R/BF  | 25010/10RB/BF  | M10x200                 | 42                                      | 200 | ø 80 | 8  | -  | M10 | 30 | 242 | 10000              |
| 24900/12R     | 24900/12RB     | M12x50                  | 37                                      | 50  | ø 80 | -  | 14 | M12 | 30 | 87  | 10000              |
| 25000/12R     | 25000/12RB     | M12x75                  | 37                                      | 75  | ø 80 | -  | 14 | M12 | 30 | 112 | 10000              |
| 25002/12R     | 25002/12RB     | M12x100                 | 37                                      | 100 | ø 80 | -  | 14 | M12 | 30 | 137 | 10000              |
| 25004/12R     | 25004/12RB     | M12x125                 | 37                                      | 125 | ø 80 | -  | 14 | M12 | 30 | 162 | 10000              |
| 25006/12R/BF  | 25006/12RB/BF  | M12x150                 | 42                                      | 150 | ø 80 | 10 | -  | M12 | 30 | 192 | 10000              |
| 25008/12R/BF  | 25008/12RB/BF  | M12x175                 | 42                                      | 175 | ø 80 | 10 | -  | M12 | 30 | 217 | 10000              |
| 25010/12R/BF  | 25010/12RB/BF  | M12x200                 | 42                                      | 200 | ø 80 | 10 | -  | M12 | 30 | 242 | 10000              |
| 25000R        | 25000RB        | M14x75                  | 35                                      | 75  | ø 80 | -  | 14 | M14 | 30 | 110 | 10000              |
| 25002R        | 25002RB        | M14x100                 | 35                                      | 100 | ø 80 | -  | 14 | M14 | 30 | 135 | 10000              |
| 25004R        | 25004RB        | M14x125                 | 35                                      | 125 | ø 80 | -  | 14 | M14 | 30 | 160 | 10000              |
| 25006R        | 25006RB        | M14x150                 | 35                                      | 150 | ø 80 | -  | 14 | M14 | 30 | 185 | 10000              |
| 25008R        | 25008RB        | M14x175                 | 35                                      | 175 | ø 80 | -  | 14 | M14 | 30 | 210 | 10000              |
| 25020R        | 25020RB        | M16x75                  | 42                                      | 75  | ø 80 | 13 | -  | M16 | 30 | 117 | 10000              |
| 25022R        | 25022RB        | M16x100                 | 42                                      | 100 | ø 80 | 13 | -  | M16 | 30 | 142 | 10000              |
| 25024R        | 25024RB        | M16x125                 | 42                                      | 125 | ø 80 | 13 | -  | M16 | 30 | 167 | 10000              |
| 25026R        | 25026RB        | M16x150                 | 42                                      | 150 | ø 80 | 13 | -  | M16 | 30 | 192 | 10000              |
| 25028R        | 25028RB        | M16x175                 | 42                                      | 175 | ø 80 | 13 | -  | M16 | 30 | 217 | 10000              |
| 25030R        | 25030RB        | M16x200                 | 42                                      | 200 | ø 80 | 13 | -  | M16 | 30 | 242 | 10000              |
| 25040R        | 25040RB        | M20x75                  | 42                                      | 75  | ø 80 | 17 | -  | M20 | 30 | 117 | 10000              |
| 25042R        | 25042RB        | M20x100                 | 42                                      | 100 | ø 80 | 17 | -  | M20 | 30 | 142 | 10000              |
| 25044R        | 25044RB        | M20x125                 | 42                                      | 125 | ø 80 | 17 | -  | M20 | 30 | 167 | 10000              |
| 25046R        | 25046RB        | M20x150                 | 42                                      | 150 | ø 80 | 17 | -  | M20 | 30 | 192 | 10000              |
| 25048R        | 25048RB        | M20x175                 | 42                                      | 175 | ø 80 | 17 | -  | M20 | 30 | 217 | 10000              |
| 25050R        | 25050RB        | M20x200                 | 42                                      | 200 | ø 80 | 17 | -  | M20 | 30 | 242 | 10000              |
| 25052R        | 25052RB        | M20x225                 | 42                                      | 225 | ø 80 | 17 | -  | M20 | 30 | 267 | 10000              |
| 25054R        | 25054RB        | M20x250                 | 42                                      | 250 | ø 80 | 17 | -  | M20 | 30 | 292 | 10000              |
| 25070R        | 25070RB        | M24x75                  | 42                                      | 75  | ø 80 | 20 | -  | M24 | 30 | 117 | 10000              |
| 25072R        | 25072RB        | M24x100                 | 42                                      | 100 | ø 80 | 20 | -  | M24 | 30 | 142 | 10000              |
| 25074R        | 25074RB        | M24x125                 | 42                                      | 125 | ø 80 | 20 | -  | M24 | 30 | 167 | 10000              |
| * 25076R      | 25076RB        | M24x150                 | 42                                      | 150 | ø 80 | 20 | -  | M24 | 30 | 192 | 10000              |
| * 25078R      | 25078RB        | M24x175                 | 42                                      | 175 | ø 80 | 20 | -  | M24 | 30 | 217 | 10000              |
| * 25080R      | 25080RB        | M24x200                 | 42                                      | 200 | ø 80 | 20 | -  | M24 | 30 | 242 | 10000              |
| 25082R        | 25082RB        | M24x225                 | 42                                      | 225 | ø 80 | 20 | -  | M24 | 30 | 267 | 10000              |
| 25084R        | 25084RB        | M24x250                 | 42                                      | 250 | ø 80 | 20 | -  | M24 | 30 | 292 | 10000              |

\* Disponibile con Filettatura a passo fine. Aggiungere "/P2" al codice  
Available with Thin pitch thread. Please, add "/P2" to the code.