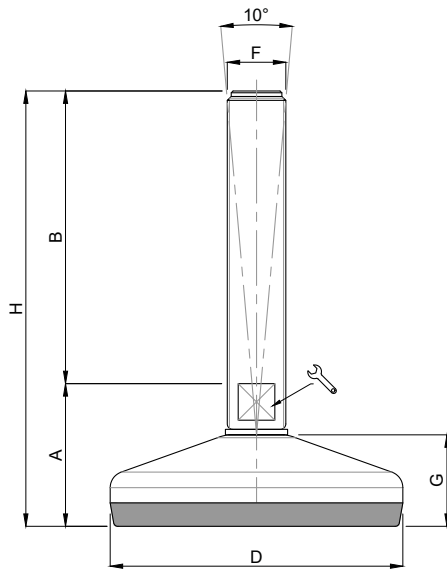


VULCANIZED MASCHINENFUSS EDELSTAHL Ø 80

MOVET®

VULCANIZED MACHINE LEVELLING FOOT STAINLESS STEEL Ø 80



TYP - TYPE 458	Beschreibung Description	HAUPTABMESSUNGEN - MAIN DIMENSIONS							STAT. BELASTUNG STATIC LOAD NEWTON
		A	B	D	🔑	F	G	H	
24900/10	M10X50	35	50	Ø 80	14*	M10	25	85	10000
25000/10	M10X75	35	75	Ø 80	14*	M10	25	110	10000
25002/10	M10X100	35	100	Ø 80	14*	M10	25	135	10000
25004/10	M10X125	35	125	Ø 80	14*	M10	25	160	10000
24900/12	M12X50	35	50	Ø 80	14*	M12	25	85	10000
25000/12	M12X75	35	75	Ø 80	14*	M12	25	110	10000
25002/12	M12X100	35	100	Ø 80	14*	M12	25	135	10000
25004/12	M12X125	35	125	Ø 80	14*	M12	25	160	10000
25006/12	M12X150	35	150	Ø 80	14*	M12	25	185	10000
25000	M14X75	35	75	Ø 80	14*	M14	25	110	10000
25002	M14X100	35	100	Ø 80	14*	M14	25	135	10000
25004	M14X125	35	125	Ø 80	14*	M14	25	160	10000
25006	M14X150	35	150	Ø 80	14*	M14	25	185	10000
25008	M14X175	35	175	Ø 80	14*	M14	25	210	10000
25020	M16X75	38	75	Ø 80	13	M16	25	113	10000
25022	M16X100	38	100	Ø 80	13	M16	25	138	10000
25024	M16X125	38	125	Ø 80	13	M16	25	163	10000
25026	M16X150	38	150	Ø 80	13	M16	25	188	10000
25028	M16X175	38	175	Ø 80	13	M16	25	213	10000
25030	M16x200	38	200	Ø 80	13	M16	25	238	10000
25040	M20X75	38	75	Ø 80	17	M20	25	113	10000
25042	M20X100	38	100	Ø 80	17	M20	25	138	10000
25044	M20X125	38	125	Ø 80	17	M20	25	163	10000
25046	M20X150	38	150	Ø 80	17	M20	25	188	10000
25048	M20X175	38	175	Ø 80	17	M20	25	213	10000
25050	M20X200	38	200	Ø 80	17	M20	25	238	10000
25052	M20X225	38	225	Ø 80	17	M20	25	263	10000
25054	M20x250	38	250	Ø 80	17	M20	25	288	10000
25070	M24X75	40	75	Ø 80	20	M24	25	115	10000
25072	M24X100	40	100	Ø 80	20	M24	25	140	10000
25074	M24X125	40	125	Ø 80	20	M24	25	165	10000
* 25076	M24X150	40	150	Ø 80	20	M24	25	190	10000
* 25078	M24X175	40	175	Ø 80	20	M24	25	215	10000
* 25080	M24X200	40	200	Ø 80	20	M24	25	240	10000
25082	M24X225	40	225	Ø 80	20	M24	25	265	10000

* Sechskantschlüssel
Hexagonal wrench

Sie haben Fragen? Kontaktieren Sie uns:
Do you need support? Contact us:

+49 (0) 7181 980 32 00

info@movet.eu

www.movet.eu