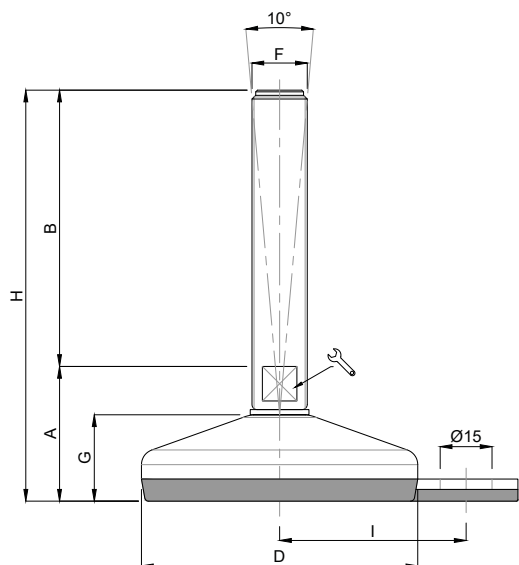


VULCANIZED MASCHINENFUSS EDELSTAHL Ø 60

MOVET®

VULCANIZED MACHINE LEVELLING FOOT STAINLESS STEEL Ø 60



TYP - TYPE 458	Beschreibung Description	HAUPTABMESSUNGEN - MAIN DIMENSIONS								STAT. BELASTUNG STATIC LOAD NEWTON
		A	B	D	🔧	F	G	H	I	
24510/F	M10X50	32	50	Ø 60	14*	M10	22	82	45	7000
24512/F	M10X75	32	75	Ø 60	14*	M10	22	107	45	7000
24514/F	M10X100	32	100	Ø 60	14*	M10	22	132	45	7000
24516/F	M10X125	32	125	Ø 60	14*	M10	22	157	45	7000
24610/F	M12X50	32	50	Ø 60	14*	M12	22	82	45	7000
24612/F	M12X75	32	75	Ø 60	14*	M12	22	107	45	7000
24614/F	M12X100	32	100	Ø 60	14*	M12	22	132	45	7000
24616/F	M12X125	32	125	Ø 60	14*	M12	22	157	45	7000
24618/F	M12X150	32	150	Ø 60	14*	M12	22	182	45	7000
24710/F	M14X75	32	75	Ø 60	14*	M14	22	107	45	7000
24712/F	M14X100	32	100	Ø 60	14*	M14	22	132	45	7000
24714/F	M14X125	32	125	Ø 60	14*	M14	22	157	45	7000
24716/F	M14X150	32	150	Ø 60	14*	M14	22	182	45	7000
24718/F	M14X175	32	175	Ø 60	14*	M14	22	207	45	7000
24814/F	M16X75	35	75	Ø 60	13	M16	22	110	45	7000
24816/F	M16X100	35	100	Ø 60	13	M16	22	135	45	7000
24818/F	M16X125	35	125	Ø 60	13	M16	22	160	45	7000
24820/F	M16X150	35	150	Ø 60	13	M16	22	185	45	7000
24822/F	M16X175	35	175	Ø 60	13	M16	22	210	45	7000
24824/F	M16X200	35	200	Ø 60	13	M16	22	235	45	7000
24910/F	M20X75	35	75	Ø 60	17	M20	22	110	45	7000
24912/F	M20X100	35	100	Ø 60	17	M20	22	135	45	7000
24914/F	M20X125	35	125	Ø 60	17	M20	22	160	45	7000
24916/F	M20X150	35	150	Ø 60	17	M20	22	185	45	7000
24918/F	M20X175	35	175	Ø 60	17	M20	22	210	45	7000
24920/F	M20X200	35	200	Ø 60	17	M20	22	235	45	7000
24922/F	M20X225	35	225	Ø 60	17	M20	22	260	45	7000
24924/F	M20X250	35	250	Ø 60	17	M20	22	285	45	7000

* Sechskantschlüssel
Hexagonal wrench