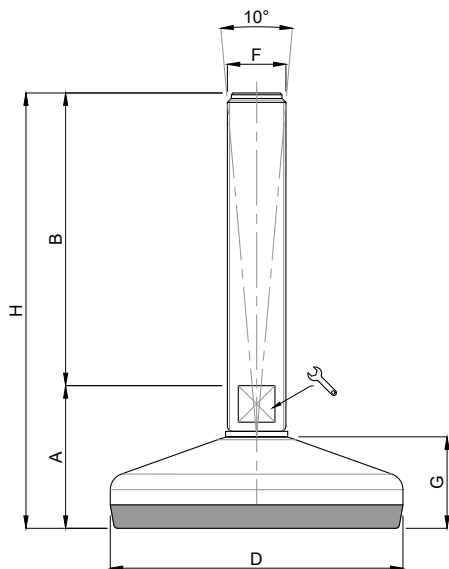


VULCANIZED MASCHINENFUSS EDELSTAHL Ø 60

VULCANIZED MACHINE LEVELLING FOOT STAINLESS STEEL Ø 60

MOVET®



| TYP - TYPE 458 | Beschreibung Description | HAUPTABMESSUNGEN - MAIN DIMENSIONS | | | | | | | STAT. BELASTUNG STATIC LOAD NEWTON |
|-------------------|-----------------------------|------------------------------------|-----|------|---|-----|----|-----|--|
| | | A | B | D |  | F | G | H | |
| 24510 | M10X50 | 32 | 50 | Ø 60 | 14* | M10 | 22 | 82 | 7000 |
| 24512 | M10X75 | 32 | 75 | Ø 60 | 14* | M10 | 22 | 107 | 7000 |
| 24514 | M10X100 | 32 | 100 | Ø 60 | 14* | M10 | 22 | 132 | 7000 |
| 24516 | M10X125 | 32 | 125 | Ø 60 | 14* | M10 | 22 | 157 | 7000 |
| 24610 | M12X50 | 32 | 50 | Ø 60 | 14* | M12 | 22 | 82 | 7000 |
| 24612 | M12X75 | 32 | 75 | Ø 60 | 14* | M12 | 22 | 107 | 7000 |
| 24614 | M12X100 | 32 | 100 | Ø 60 | 14* | M12 | 22 | 132 | 7000 |
| 24616 | M12X125 | 32 | 125 | Ø 60 | 14* | M12 | 22 | 157 | 7000 |
| 24618 | M12X150 | 32 | 150 | Ø 60 | 14* | M12 | 22 | 182 | 7000 |
| 24710 | M14X75 | 32 | 75 | Ø 60 | 14* | M14 | 22 | 107 | 7000 |
| 24712 | M14X100 | 32 | 100 | Ø 60 | 14* | M14 | 22 | 132 | 7000 |
| 24714 | M14X125 | 32 | 125 | Ø 60 | 14* | M14 | 22 | 157 | 7000 |
| 24716 | M14X150 | 32 | 150 | Ø 60 | 14* | M14 | 22 | 182 | 7000 |
| 24718 | M14X175 | 32 | 175 | Ø 60 | 14* | M14 | 22 | 207 | 7000 |
| 24814 | M16X75 | 35 | 75 | Ø 60 | 13 | M16 | 22 | 110 | 7000 |
| 24816 | M16X100 | 35 | 100 | Ø 60 | 13 | M16 | 22 | 135 | 7000 |
| 24818 | M16X125 | 35 | 125 | Ø 60 | 13 | M16 | 22 | 160 | 7000 |
| 24820 | M16X150 | 35 | 150 | Ø 60 | 13 | M16 | 22 | 185 | 7000 |
| 24822 | M16X175 | 35 | 175 | Ø 60 | 13 | M16 | 22 | 210 | 7000 |
| 24824 | M16X200 | 35 | 200 | Ø 60 | 13 | M16 | 22 | 235 | 7000 |
| 24910 | M20X75 | 35 | 75 | Ø 60 | 17 | M20 | 22 | 110 | 7000 |
| 24912 | M20X100 | 35 | 100 | Ø 60 | 17 | M20 | 22 | 135 | 7000 |
| 24914 | M20X125 | 35 | 125 | Ø 60 | 17 | M20 | 22 | 160 | 7000 |
| 24916 | M20X150 | 35 | 150 | Ø 60 | 17 | M20 | 22 | 185 | 7000 |
| 24918 | M20X175 | 35 | 175 | Ø 60 | 17 | M20 | 22 | 210 | 7000 |
| 24920 | M20X200 | 35 | 200 | Ø 60 | 17 | M20 | 22 | 235 | 7000 |
| 24922 | M20X225 | 35 | 225 | Ø 60 | 17 | M20 | 22 | 260 | 7000 |
| 24924 | M20X250 | 35 | 250 | Ø 60 | 17 | M20 | 22 | 285 | 7000 |

* Sechskantschlüssel
Hexagonal wrench