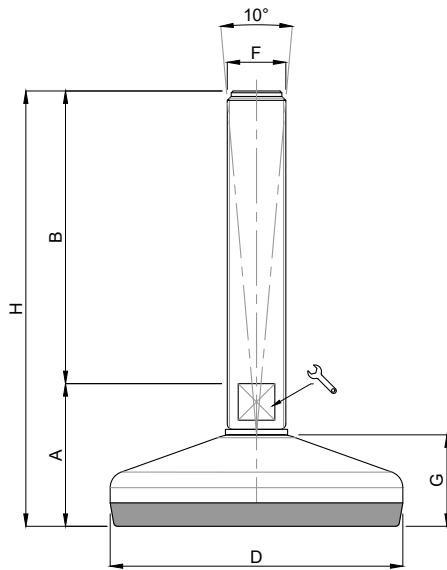


VULCANIZED MASCHINENFUSS EDELSTAHL Ø 50

MOVET®

VULCANIZED MACHINE LEVELLING FOOT STAINLESS STEEL Ø 50



TYP - TYPE 458	Beschreibung Description	HAUPTABMESSUNGEN - MAIN DIMENSIONS							STAT. BELASTUNG STATIC LOAD NEWTON
		A	B	D		F	G	H	
24500	M10X50	29	50	Ø 50	14*	M10	19	79	4000
24502	M10X75	29	75	Ø 50	14*	M10	19	104	4000
24504	M10X100	29	100	Ø 50	14*	M10	19	129	4000
24506	M10X125	29	125	Ø 50	14*	M10	19	154	4000
24600	M12X50	29	50	Ø 50	14*	M12	19	79	4000
24602	M12X75	29	75	Ø 50	14*	M12	19	104	4000
24604	M12X100	29	100	Ø 50	14*	M12	19	129	4000
24606	M12X125	29	125	Ø 50	14*	M12	19	154	4000
24608	M12X150	29	150	Ø 50	14*	M12	19	179	4000
24700	M14X75	29	75	Ø 50	14*	M14	19	104	4000
24702	M14X100	29	100	Ø 50	14*	M14	19	129	4000
24704	M14X125	29	125	Ø 50	14*	M14	19	154	4000
24706	M14X150	29	150	Ø 50	14*	M14	19	179	4000
24708	M14X175	29	175	Ø 50	14*	M14	19	204	4000
24800	M16X75	32	75	Ø 50	13	M16	19	107	4000
24802	M16X100	32	100	Ø 50	13	M16	19	132	4000
24804	M16X125	32	125	Ø 50	13	M16	19	157	4000
24806	M16X150	32	150	Ø 50	13	M16	19	182	4000
24808	M16X175	32	175	Ø 50	13	M16	19	207	4000
24810	M16X200	32	200	Ø 50	13	M16	19	232	4000

* Sechskantschlüssel
Hexagonal wrench