

DECLARATION OF CONFORMITY

EC NO. 1935/2004

Conveyor Components

Accessories

SCANBELT Series:

06-401, 12-401, 12-406, 12-408, 12-438, 12-448

25-100, 25-400, 25-402, 25-411, 25-406, 25-412, 25-413, 25-420, 25-801, 25-806, 25-830, 25-836

50-100, 50-220, 50-300, 50-401, 50-600, 50-602, 50-606, 50-608, 50-610, 50-630,

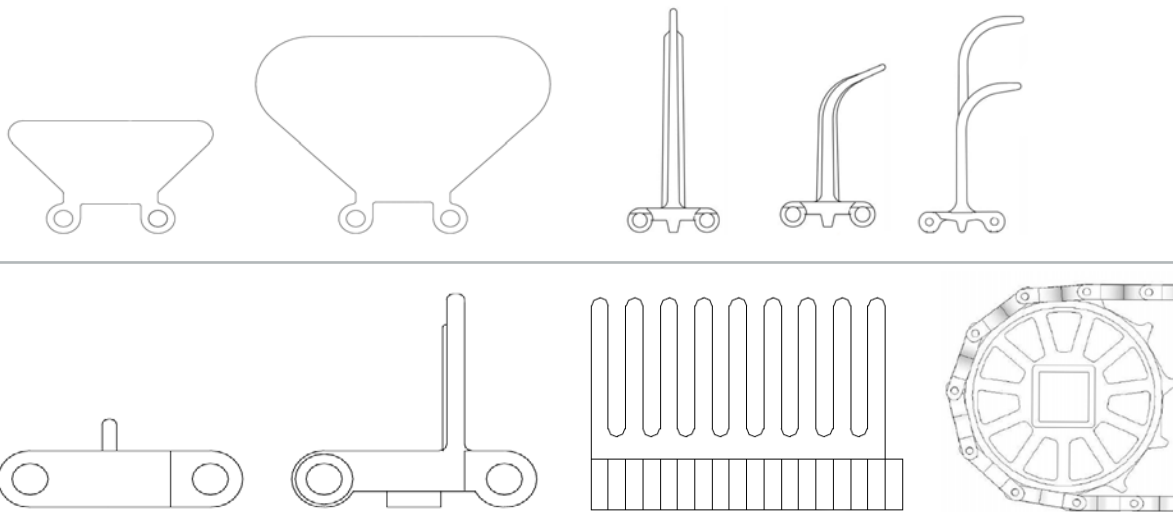
50-801, 50-805, 50-806, 50-808, 50-830, 50-838

S.100R, S101, S.201, S.250, J.450

Material Type:

POM

This declaration of compliance relates exclusively to the product specified herein in the state in which it was placed on the market. Any components added, modifications or handling effected carried out subsequently are clearly excluded. The declaration ends to be valid in the event that the use of the product is not in conformance with the conditions specified in the applicable regulations, if any, and in our technical documentation.



DECLARATION OF CONFORMITY

EC NO. 1935/2004

The declaration of materials concerns the following applications:

Application:

Material type:

Basic colors:

Resistance:

Range of temperature:

Compliance:

Accessories for modular conveyor belts

Polyoxymethylen / Polyacetal (POM)

white, nature, grey, blue

High chemical resistance

Min -43°C to Max +95°C

We confirm that the above mentioned product fulfills the requirements on materials and articles used for food contact as described in the **European Regulation 10/2011/EC** from January 14th 2011 as amended up to and including 1183/2012/EC.

Substances used for the manufacturing of this product are all listed in Annex 1 of **Regulation 10/2011/EC**. The POM belt contains substances restricted by specific migration limits. These substances have been proved to comply with the specific migration limits by specific migration testing and by worst case calculations.

The following substances also authorized as direct food additives (dual use additives) are present in the product:

CAS no. 13463-67-7, Titanium dioxide

CAS no. 77-92-9, Citric acid

The product does not contain a functional barrier as defined in **Regulation 10/2011/EC**

Overall migration tests have been conducted according to the specifications set out in EC-regulation 10/2011/EC as amended.

The product can be in contact with all kinds of foodstuffs for a maximum of 1 hour at maximum 70°C.

The item does not apply any danger to health or environment according to article 3 in Framework Regulation **1935/2004/EC**. The item is manufactured according to Regulation 2023/2006/EC on good manufacturing practice. The item complies with current EU-legislation on plastic materials and articles intended for food contact as described in **EC Regulation 10/2011/EC** and the Danish executive order no. 822 of 26/06/2013.

