

DECLARATION OF CONFORMITY

EC NO. 1935/2004

Conveyor Components

Accessories

06-401, 12-401, 12-406, 12-408, 12-438, 12-448

25-100, 25-400, 25-402, 25-411, 25-406, 25-412, 25-413, 25-420, 25-801, 25-806, 25-830, 25-836

50-100, 50-220, 50-300, 50-401, 50-600, 50-602, 50-606, 50-608, 50-610, 50-630,

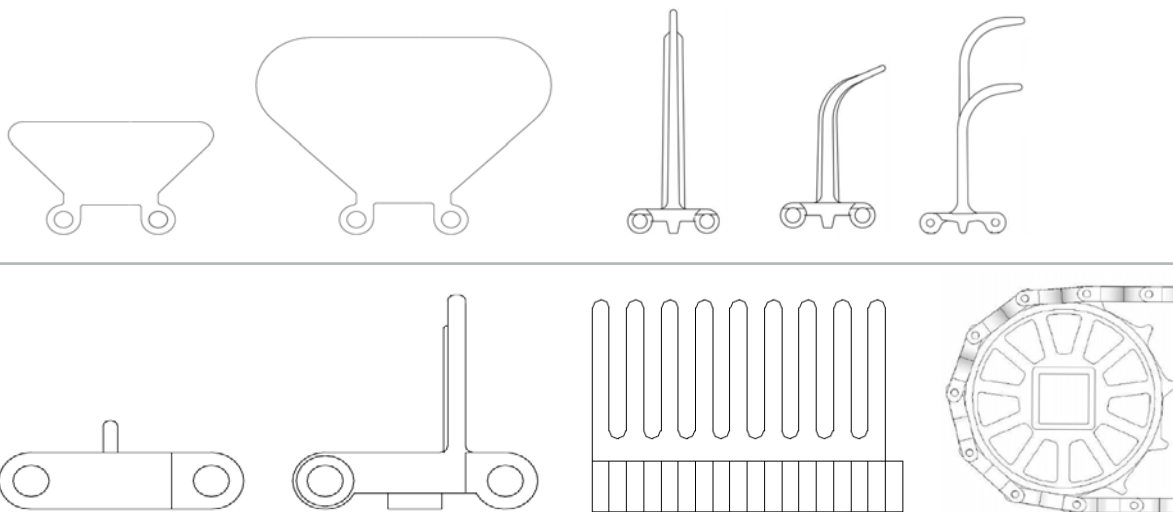
50-801, 50-805, 50-806, 50-808, 50-830, 50-838

S.100R, S101, S.201, S.250, J.450

Material Type:

PE

This declaration of compliance relates exclusively to the product specified herein in the state in which it was placed on the market. Any components added, modifications or handling effected carried out subsequently are clearly excluded. The declaration ends to be valid in the event that the use of the product is not in conformance with the conditions specified in the applicable regulations, if any, and in our technical documentation.



DECLARATION OF CONFORMITY

EC NO. 1935/2004

The declaration of materials concerns the following applications:

Application:

Material type:

Basic colors:

Resistance:

Range of temperature:

Compliance:

Accessories for modular conveyor belts

Polyethylene (PE)

white, nature, grey, blue

High chemical resistance

Min -73°C to Max +66°C

We confirm that the above mentioned product fulfills the requirements on materials and articles used for food contact as described in the **European Regulation 10/2011/EC**. The masterbatches are furthermore in compliance with European Resolution Res AP (89) 1.

PE

Substances used for the manufacturing of this product are all listed in Annex I of **Regulation 10/2011/EC**. The following substances are restricted by SML values:

Ref no. 38840, **CAS no. 154862-43-8**, Bis(2,4-dicumylphenyl)pentaerythritol diphosphite, SML = 5 mg/kg

Ref no. 60800, **CAS no. 65447-77-0**, 1-(2-hydroxyethyl)-4-hydroxy-2,2,6,6-tetramethyl piperidine-succinic acid, dimethyl ester, copolymer, SML = 30 mg/kg

Ref no. 81200, **CAS no. 71878-19-8**, Poly(6-((1, 1,3,3-tetramethylbutyl)amino)-1,3,5-triazine-2,4-diyl)-((2,2,6,6-tetramethyl-4-piperidyl)-imino)hexamethylene((2,2, 6,6-tetramethyl-4-piperidyl)imino), SML = 3 mg/kg

The grey and the blue belts contain:

Ref no. 25600, **CAS no. 77-99-6**, 1, 1, 1-Trimethylpropane, SML = 6 mg/kg

The blue belt furthermore contains:

Ref no. 68320, **CAS no. 2082-79-3**, octadecyl 3-(3,5-di-tert-butyl-4-hydroxyphenyl)propionate, SML = 6 mg/kg

The following substances also authorized as direct food additives (dual use additives) are present in the product:

E470a, Sodium, potassium and calcium salts of fatty acids

CAS no. 13463-67-7, Titanium dioxide

CAS no. 144-55-8, Carbonic acid, monosodium salt

CAS no. 1305-78-8, Calciumoxide

CAS no. 18996-35-5, Sodium dihydrogen citrate

CAS no. 555-43-1, Glycerol tristearate

The product does not contain a functional barrier as defined in Regulation **10/2011/EC**

Overall migration tests have been conducted according to the specifications set out in EC-directives 85/752/EC as amended and 82/711/EC as amended.

The product can be in contact with all kinds of foodstuffs for a maximum of 1 hour at maximum 66°C.

Substances listed in Annex XIV of Regulation 1907/2006/EC (REACH) are not present in the mentioned product.

The item does not apply any danger to health or environment according to article 3 in Framework Regulation **1935/2004/EC**. The item is manufactured according to Regulation 2023/2006/EC on good manufacturing practice. The item complies with current EU-legislation on plastic materials and articles intended for food contact as described in **EC Regulation 10/2011/EC** and the Danish executive order no. 579 of 01/06/2011.