

DECLARATION OF CONFORMITY

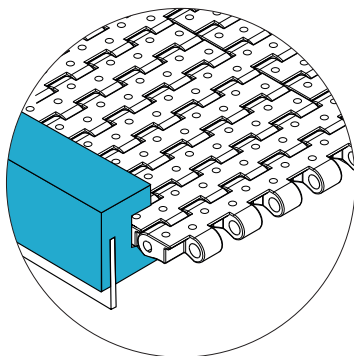
EC NO. 1935/2004

Hygienic Components

**SLIDING GUIDES
FOR MODULAR BELTS AND CONVEYOR CHAINS**

Type: 4961x

MOVET® Components, HADI GmbH Industrievertretungen, hereby declare that the listed materials applied for the products comply with the demands for materials used within the hygienic industries like food and pharma. All information is based on current state of knowledge and is subject to change.

Material Type: **PE 1000**

Sliding Guides

DECLARATION OF CONFORMITY

EC NO. 1935/2004

The declaration of materials concerns the following applications:

Application:

Material type:

Color:

Resistance:

Range of temperature:

Compliance:

Sliding Guides for modular belts and conveyor chains

Polyethylene PE 1000 UHMW

blue

High chemical resistance

Min -20°C to Max +80°C

We confirm that the above mentioned product fulfills the requirements on materials and articles used for food contact as described in the **European Regulation 10/2011/EC**.

The tested material samples fulfill the requirements according to the applicable testing conditions, Section 31 (1) of the Food and Feed Code (LFGB), as well as Article 3 of the Regulation (EC) No 1935/2004 in conjunction with Regulation (EU) No 10/2011.

The migration test was carried out under the following criteria.

**3% acetic acid / 2 h at 100°C and olive oil / 2 h at 100°C,
10% ethanol / 2 h at 100°C and 50% ethanol / 2 h at 100°C.**

Ratio of the area in contact with food

Volume (F / V), on the basis of which the conformity of the material is determined

has been: $\frac{F}{V} = 6$

The limits given for the global migration of 10 mg / dm² are clearly exceeded in all cases. According to the recipe test, no monomers or additives are used according to Regulation (EU) No. 10.2011.

The tested material samples correspond to the requirements according to the verified characteristics according to 21 CFR 177.1520 of the US FDA Regulations.

GMP: The above-mentioned products are prepared by the method „Good Manufacturing Practice“ (GMP), in accordance with Regulation (EC) No 2023/2006.